



SANDHYA ENTERPRISES

AN ISO 9001:2015 Certified Company

Address: 5-24-1223/8/1, Ambedkar Nagar, Gajularamaram, Hyderabad – 500055.

AN ISO 9001:2015 Certified Company

Contact No: 9652998932

GSTIN: 36GNLPS1299P1ZS

Email : sandhyapprises@gmail.com

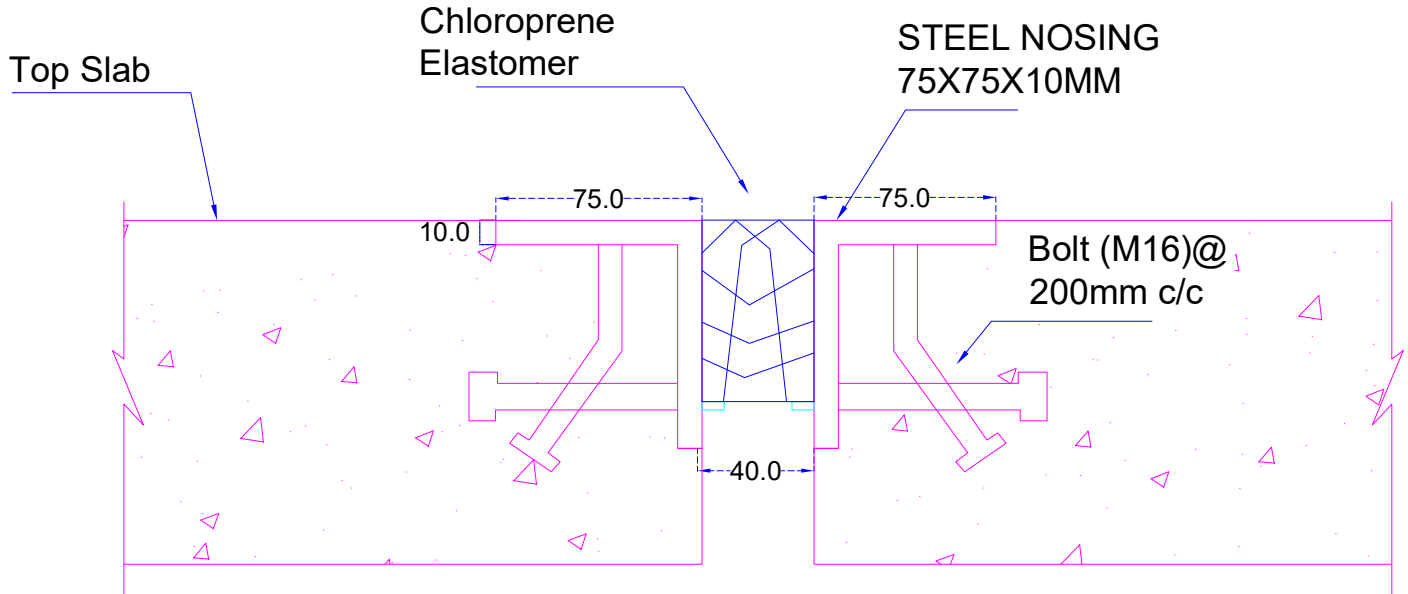
Website: www.sandhyaflex.com

WhatsApp: 9652998932

YouTube: www.youtube.com/c/SANDHYAENTERPRISES

Website : <http://www.sandhyaflex.com/pvc-water-...>


Request a Quote : <https://www.sandhyaflex.com/contactus-1.php>



CROSS SECTION OF COMPRESSION SEAL EXPANSION JOINT

All Dimensions are in MM

COMPRESSION SEAL EXPANSION JOINT

TITLE:	DRAWING NO:	DRAWN BY:	 SANDHYA ENTERPRISES HYDERABAD
COMPRESSION SEAL EXPANSION JOINT	SE/CSEJ/75/2020-21	MD. RAHMATH ALI (B.TECH CIVIL ENG)	
		CHECKED BY: MITHILESH CHOUDHARY	