
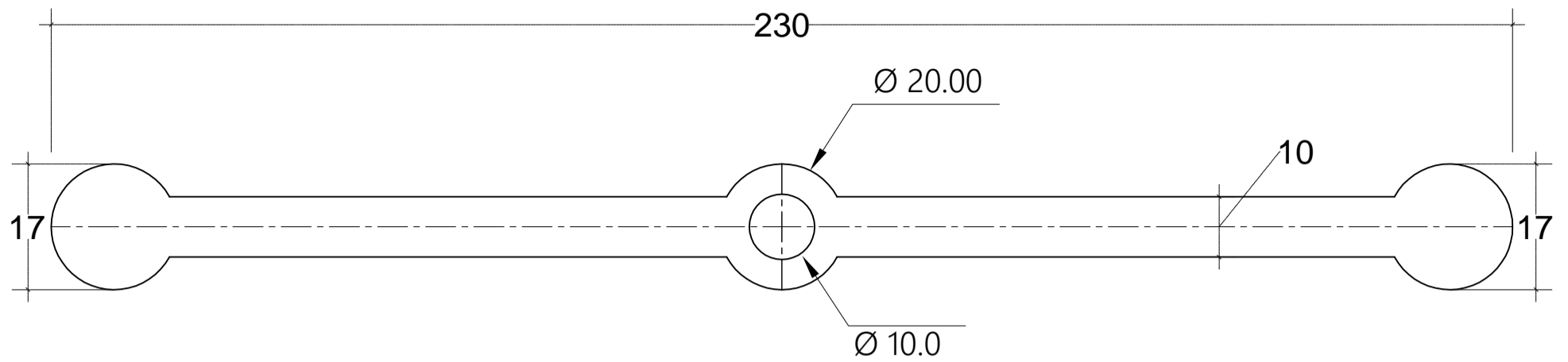


ALL DIMENSIONS ARE IN MILLIMETERS

TYPICAL CROSS-SECTION OF PVC WATER -STOPPER

S.NO	TESTS	IS: 15058-2002 SPECIFICATION CLAUSE NUMBER	PERMISSIBLE LIMITS AS PER IS: 15058-2002 SPECIFICATION	RELEVANT CODE FOR TESTING PROCEDURE /METHOD
1	PHYSICAL PROPERTIES - BEFORE AGEING			
	HARDNESS TEST	CL.3.2	65 SHORE A (MIN)	IS : 3400 (PART II)
	TENSILE STRENGTH	CL.3.2	13.8 MPA (MIN)	IS : 3400 (PART I)
	ELONGATION AT BREAK	CL.3.2	285% (MIN)	IS : 3400 (PART I)
2	WATER ABSORPTION	CL.3.2	0.6% (MAX)	IS : 3400 (PART VI)
3	COLD BEND TEST AT-25° C	CL.3.2	SHOULD BE NO ANY CRACK	IS : 9766
4	ACCELERATED EXTRACTION TEST			
	TENSILE STRENGTH	CL.3.2	10.3 MPA (MIN)	IS : 3400 (PART IV)
	ELONGATION AT BREAK	CL.3.2	280% (MIN)	IS : 3400 (PART IV)
5	STABILITY IN EFFECT OF ALKALIES TEST			
	A. WEIGHT INCREASE AT 7 DAYS	CL.3.2	0.25 % (MAX)	IS : 3400 (PART IV)
	B. WEIGHT DECREASE AT 7 DAYS	CL.3.2	0.10 % (MAX)	IS : 3400 (PART IV)
	C. CHANGE IN HARDNESS AT 7 DAYS	CL.3.2	±5 SHORE (MAX)	IS : 3400 (PART IV)
	D. WEIGHT INCREASE AT 28 DAYS	CL.3.2	0.40 % (MAX)	IS : 3400 (PART IV)
	E. WEIGHT DECREASE AT 28 DAYS	CL.3.2	0.30 % (MAX)	IS : 3400 (PART IV)
	F. DIMENSION CHANGE			
	CHANGE IN ELONGATION AT BREAK IN	CL.3.2	±1% (MAX)	IS : 3400 (PART IV)


TITLE:	DRAWING :	DRAWN BY: MD RAHMATH ALI (B.TECH, CIVIL ENGG)	 SANDHYA ENTERPRISES HYDERABAD. MOBILE: 9652998932, 9392441601. E-mail : sandhyarubber@gmail.com
PVC WATER STOPPER (DUM BELL TYPE) MAKE: SANDHYA FLEX	180X10 MM PVC WTR STOPPER SPECIFICATION IS:12200 & IS15058	CHECKED BY: MITHILESH CHAUDHARY	



ALL DIMENSIONS ARE IN MILLIMETERS

TYPICAL CROSS-SECTION OF PVC WATER -STOPPER

S.NO	TESTS	IS: 15058-2002 SPECIFICATION CLAUSE NUMBER	PERMISSIBLE LIMITS AS PER IS: 15058-2002 SPECIFICATION	RELEVANT CODE FOR TESTING PROCEDURE /METHOD
1	PHYSICAL PROPERTIES - BEFORE AGEING			
	HARDNESS TEST	CL.3.2	65 SHORE A (MIN)	IS : 3400 (PART II)
	TENSILE STRENGTH	CL.3.2	13.8 MPA (MIN)	IS : 3400 (PART I)
	ELONGATION AT BREAK	CL.3.2	285% (MIN)	IS : 3400 (PART I)
2	WATER ABSORPTION	CL.3.2	0.6% (MAX)	IS : 3400 (PART VI)
3	COLD BEND TEST AT-25° C	CL.3.2	SHOULD BE NO ANY CRACK	IS : 9766
4	ACCELERATED EXTRACTION TEST			
	TENSILE STRENGTH	CL.3.2	10.3 MPA (MIN)	IS : 3400 (PART IV)
	ELONGATION AT BREAK	CL.3.2	280% (MIN)	IS : 3400 (PART IV)
5	STABILITY IN EFFECT OF ALKALIES TEST			
	A. WEIGHT INCREASE AT 7 DAYS	CL.3.2	0.25 % (MAX)	IS : 3400 (PART IV)
	B. WEIGHT DECREASE AT 7 DAYS	CL.3.2	0.10 % (MAX)	IS : 3400 (PART IV)
	C. CHANGE IN HARDNESS AT 7 DAYS	CL.3.2	±5 SHORE (MAX)	IS : 3400 (PART IV)
	D. WEIGHT INCREASE AT 28 DAYS	CL.3.2	0.40 % (MAX)	IS : 3400 (PART IV)
	E. WEIGHT DECREASE AT 28 DAYS	CL.3.2	0.30 % (MAX)	IS : 3400 (PART IV)
	F. DIMENSION CHANGE			
	CHANGE IN ELONGATION AT BREAK IN	CL.3.2	±1% (MAX)	IS : 3400 (PART IV)

TITLE:	DRAWING :	DRAWN BY:	 SANDHYA ENTERPRISES HYDERABAD. MOBILE: 9652998932, 9392441601. E-mail : sandhyarubber@gmail.com
PVC WATER STOPPER (DUMB BELL TYPE)	230X10 MM PVC WTR STPPR SPECIFICATION IS:12200 & IS15058	MD RAHMATH ALI (B.TECH, CIVIL ENGG)	
MAKE: SANDHYA FLEX		CHECEKD BY: MITHILESH CHAUDHARY	